



# Markup with JT2Go Supplier Edition

The differences with JT2Go

Wim Ottenhoff

Solution  
Partner

PLM

**SIEMENS**

- 11 May in Dutch
- 12 May in English



A screenshot of the Mikrocentrum website. The header includes the Mikrocentrum logo with the tagline 'opleiden • ontmoeten • ondernemen', social media links for LinkedIn and Twitter, a phone number '+31 (0)40 296 99 11', a 'Houd mij op de hoogte' button, and a language selector for 'English'. The navigation menu includes 'Home', 'Cursussen', 'Evenementen', 'High Tech Platform', 'Vakgebieden', 'Over Mikrocentrum', and 'Corona'. The main content area features a blue background with a circular pattern and the text: 'Webinar', 'MBD Meet and Learn Community webinar', '11 t/m 12 mei 2021', 'Online', '11 mei: 11.00-11.30 uur (Nederlands)', and '12 mei: 16.00-16.30 uur (Engels)'. A prominent orange button says 'Meld u aan' with a right-pointing arrow, and below it, it states 'Deelname is gratis'.

<https://www.mikrocentrum.nl/nl/precisietechnologie-en-werktuigbouwkunde/precisietechnologie/mbd-solutions-webinars/>

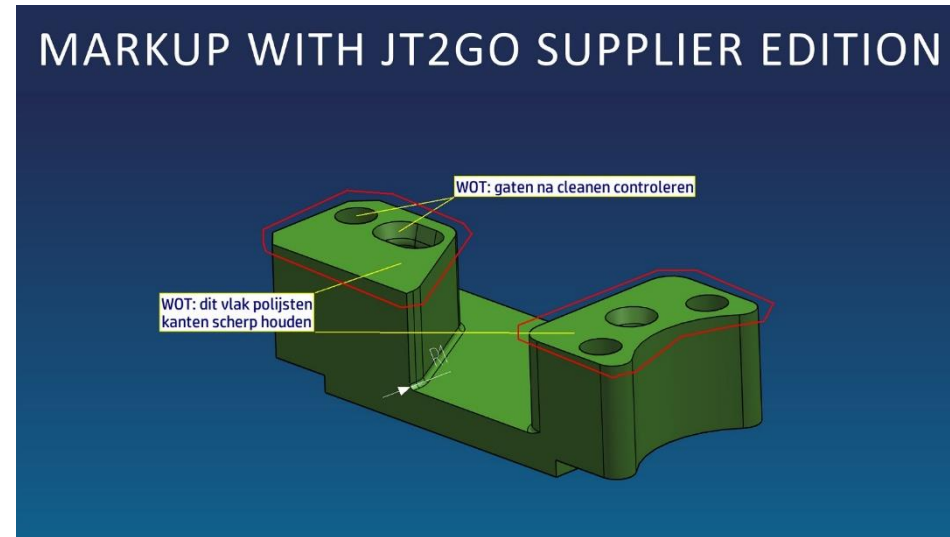
[www.sttls.nl/plm](http://www.sttls.nl/plm)



Our Team

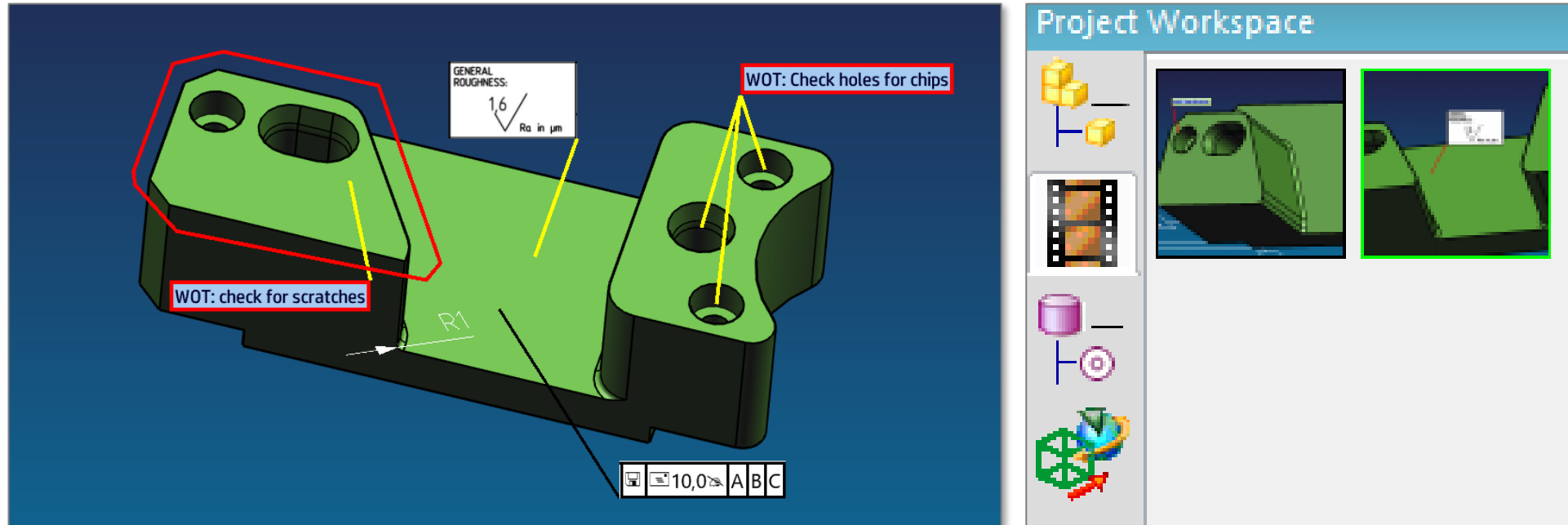
 Kasper Brok	 Rene van Gerwen	 Guus van de Griendt	 Frits van de Huygevoort	 Wim Ottenhoff	 Alex van Otterdijk	 Jack Saes	 Dirk Jan Spaanderman	 Alireza Tousi	 Dosco Vijayakumar
---	---	---	--	---	--	---	--	---	---

1. What is JT2Go SE
2. Differences with JT2Go
3. Creating markups
4. Saving markups
5. Documentation and support
6. Licensing and installation

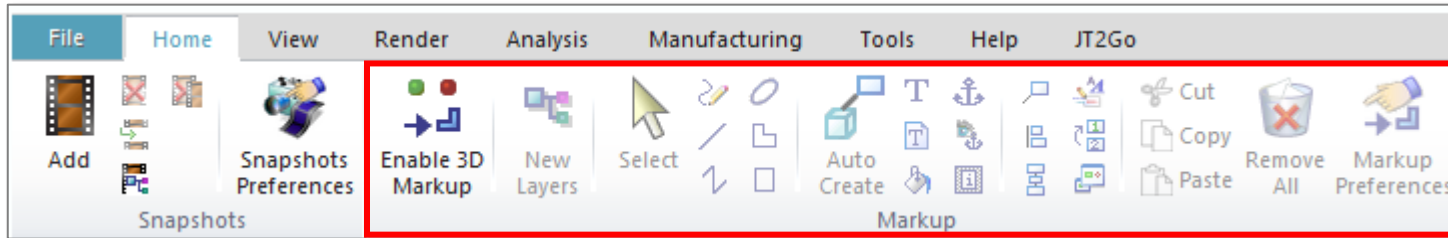


Snapshots and examples based on JT2Go SE v13.1

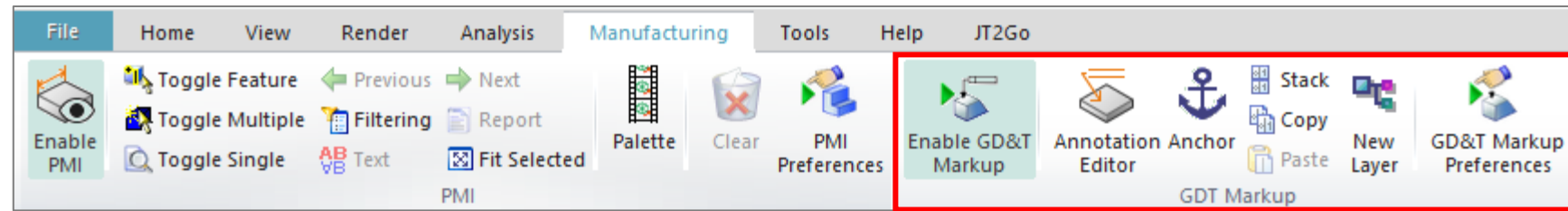
With JT2Go **Supplier Edition** you can create **markups** and **save** them together with snapshots



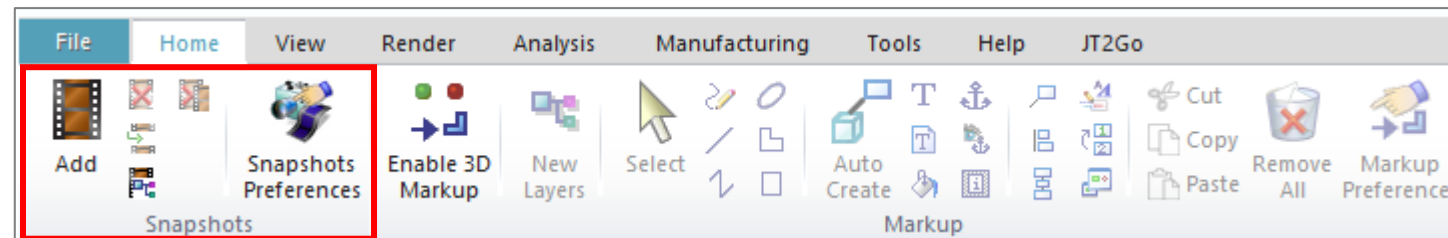
# Main differences – Added functions



Text and geometry Markups



GD&T<sup>1)</sup> Markup



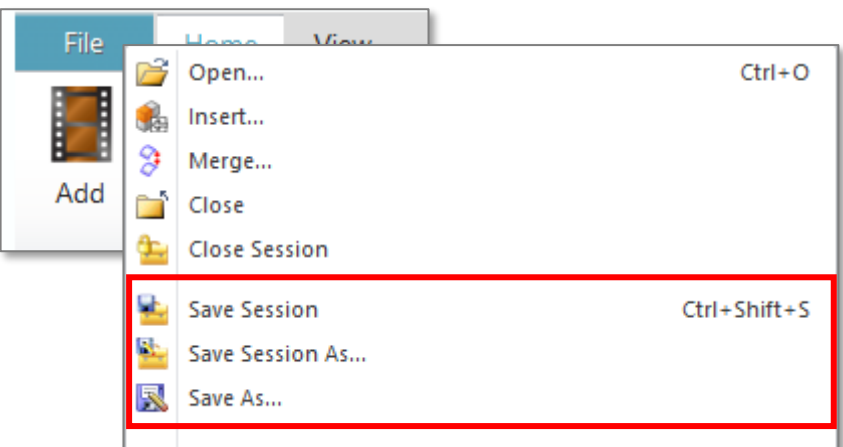
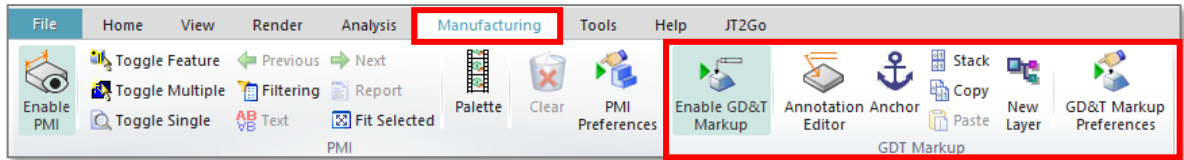
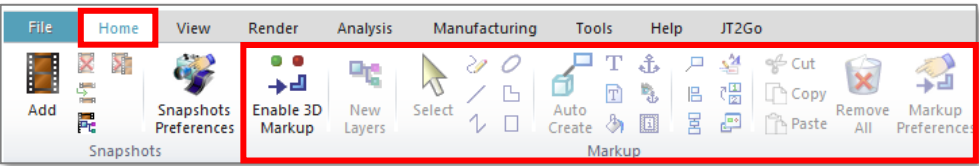
Snapshots

no functional changes,  
only save option added

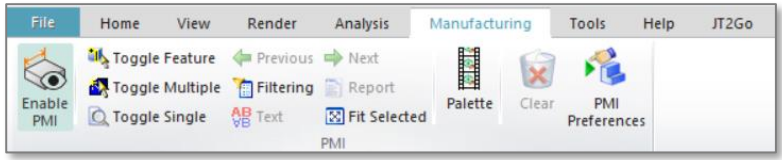
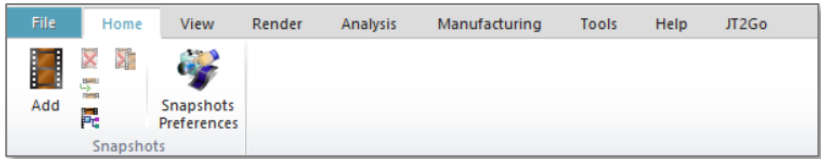
<sup>1)</sup> GD&T = Geometric Dimensioning & Tolerancing

# Main differences - User interface

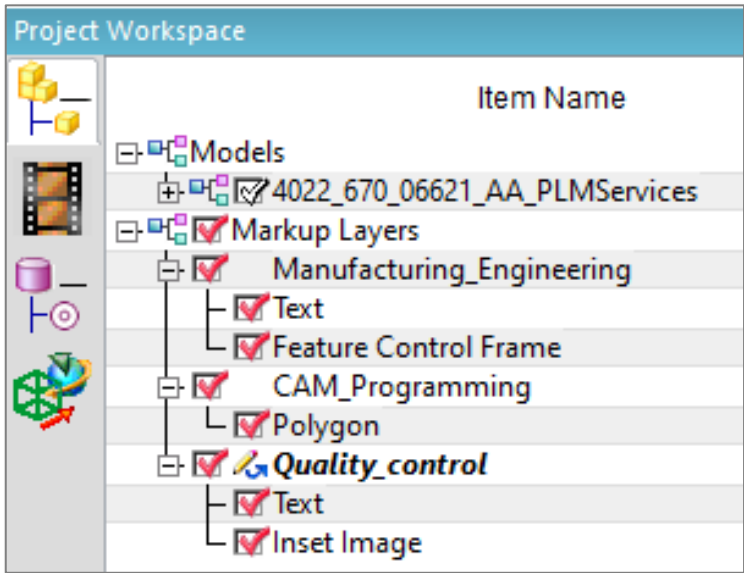
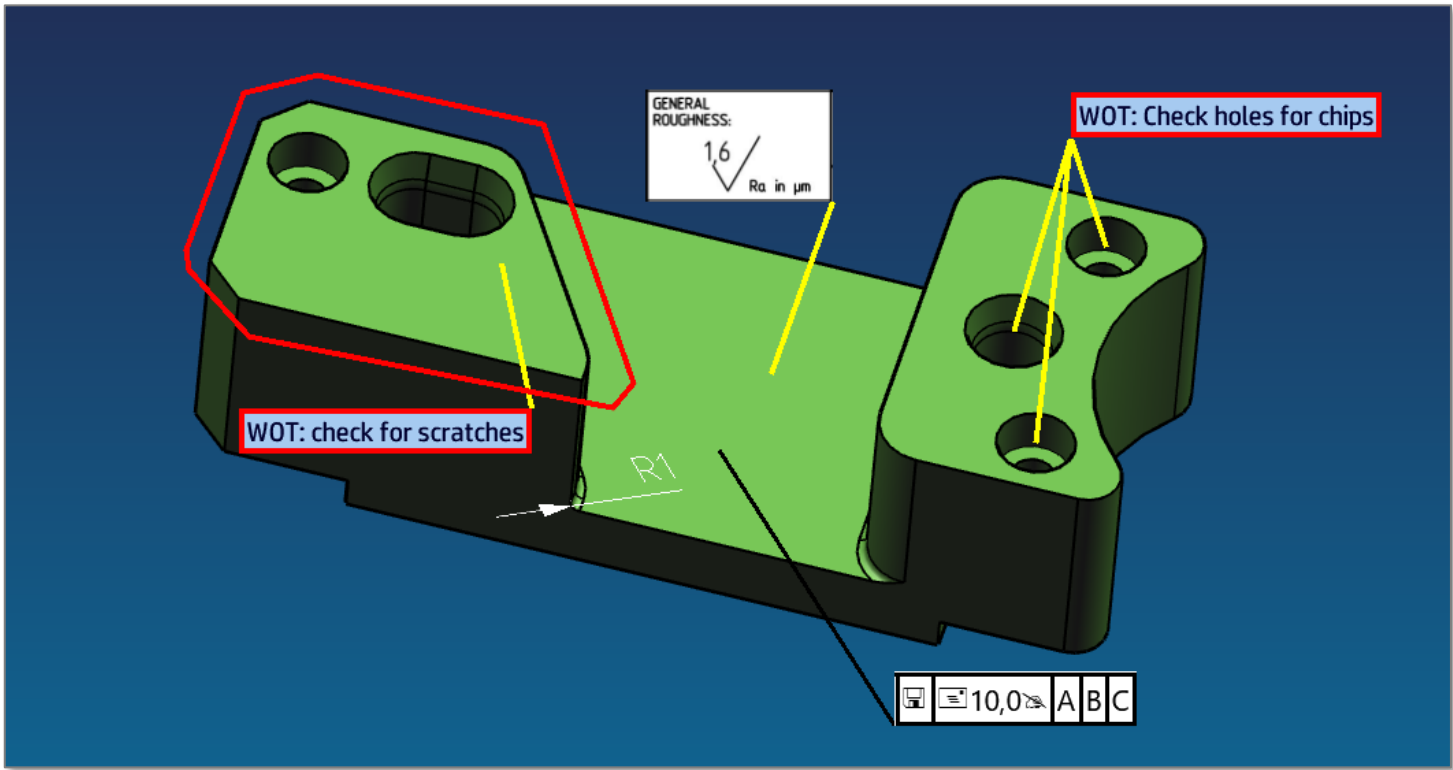
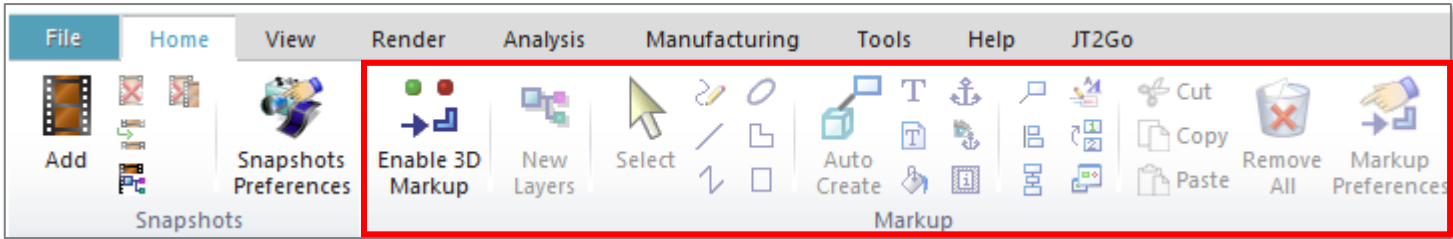
## JT2Go Supplier Edition



## JT2Go

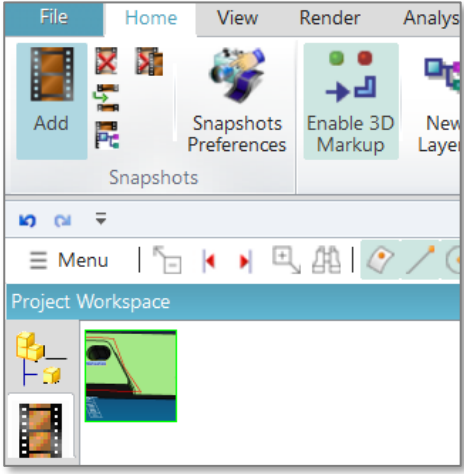
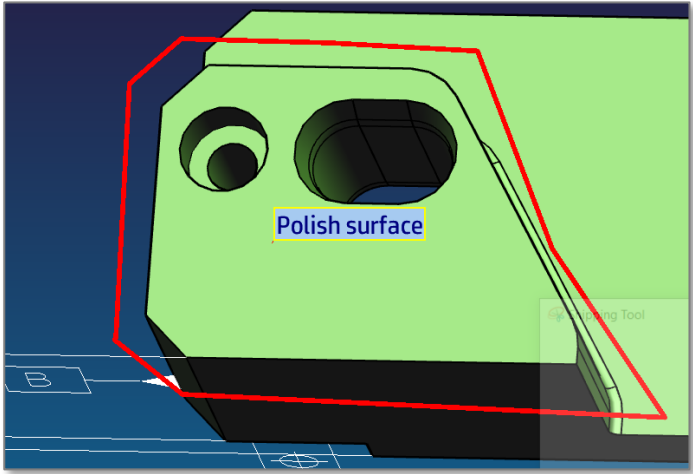
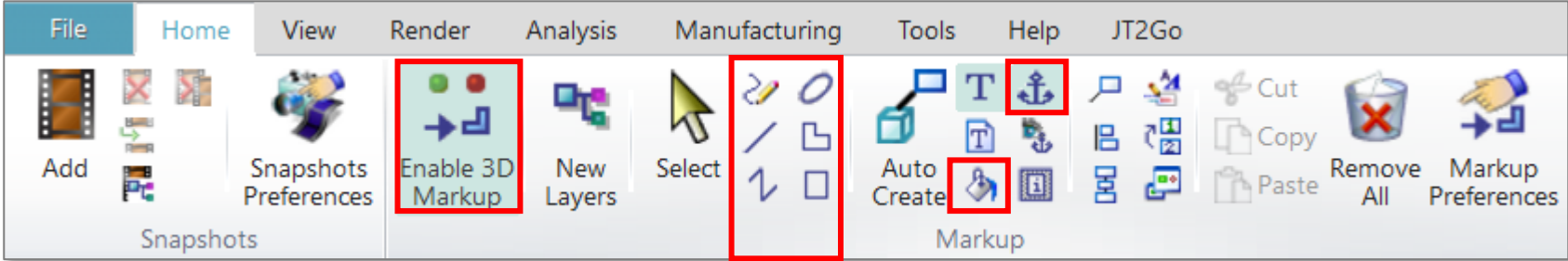


# Creating markups - Overview

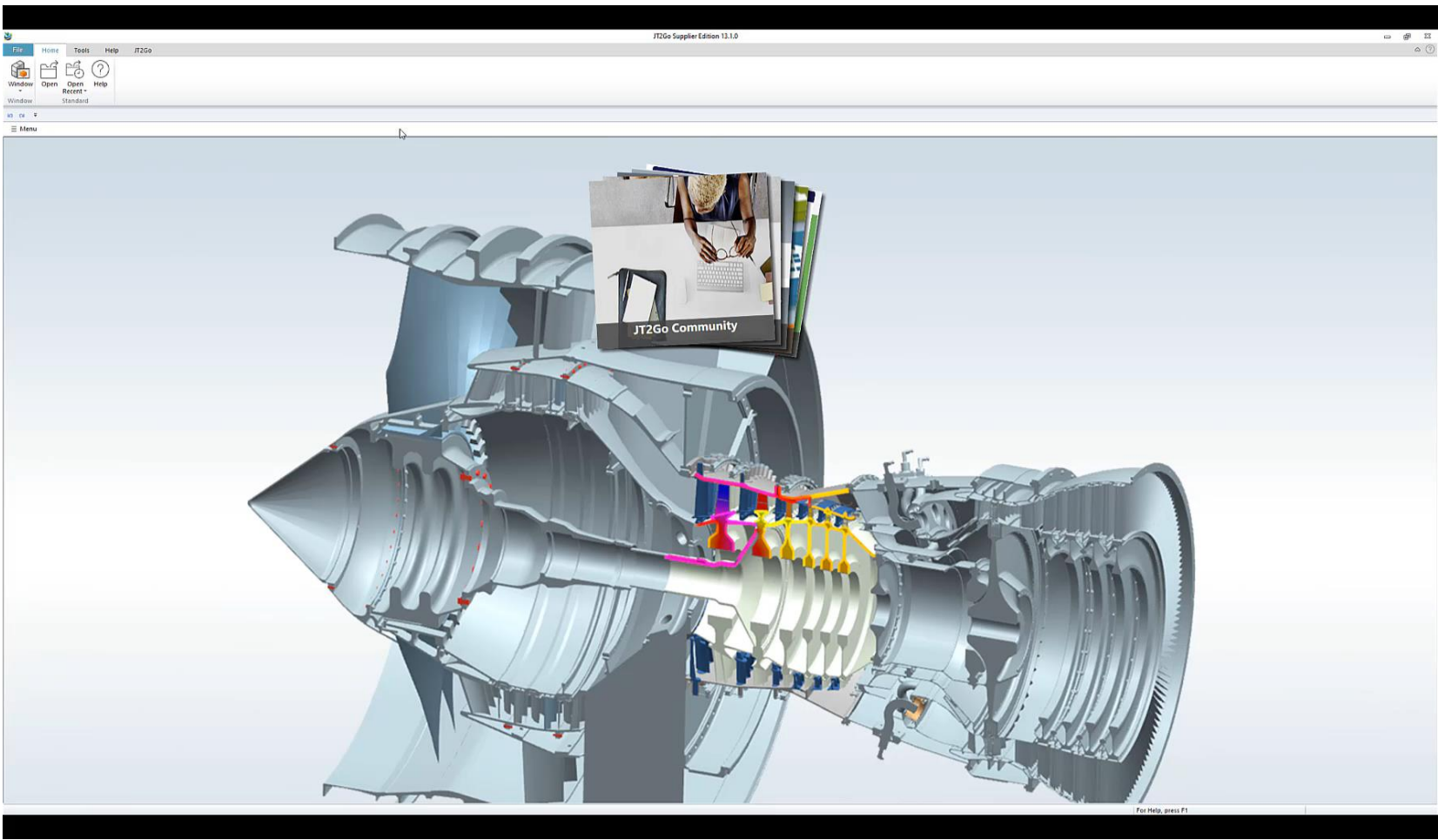




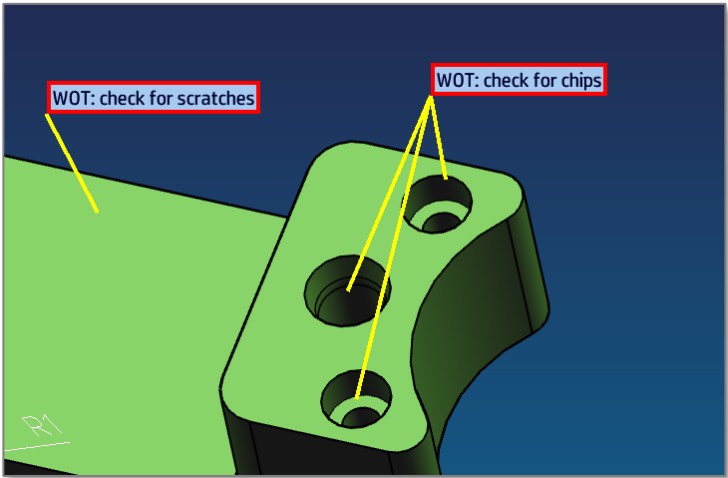
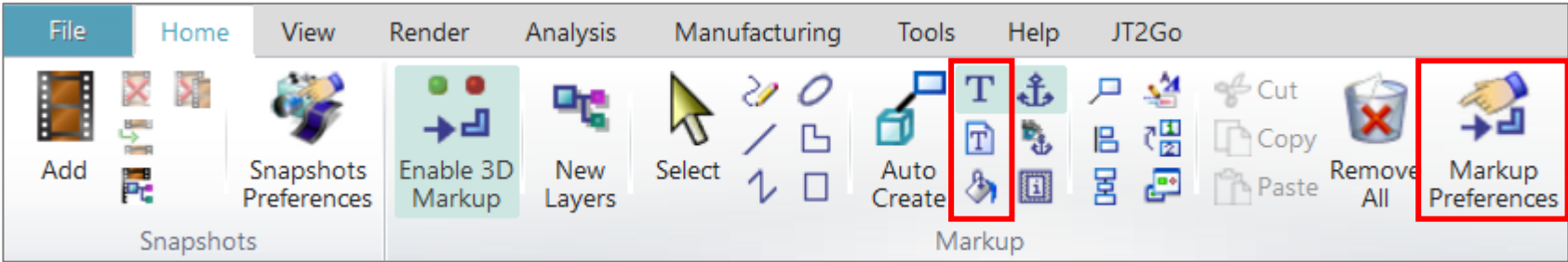
# Creating markups - Curves

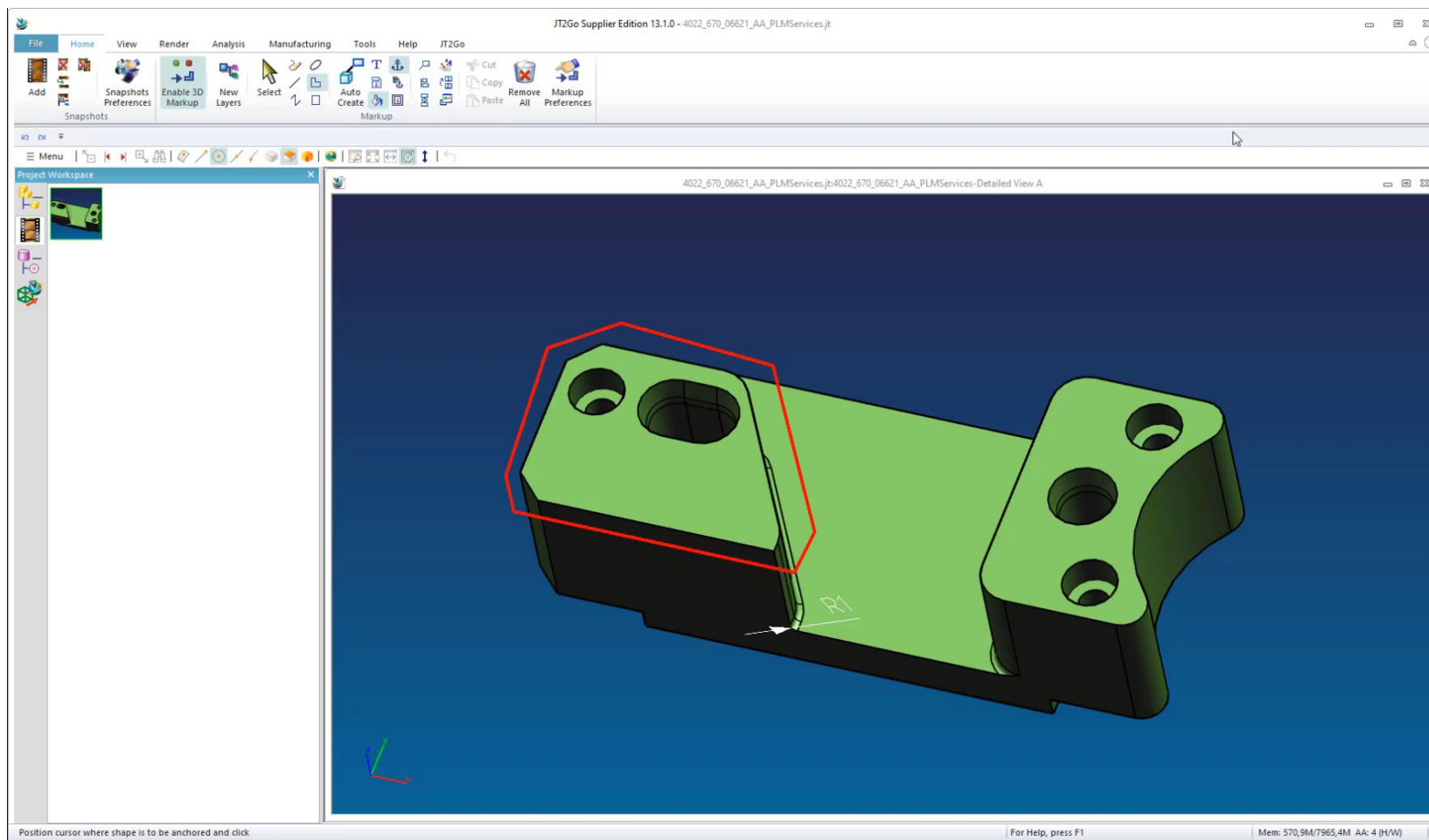


When done, don't forget to add a snapshot to preserve the view!

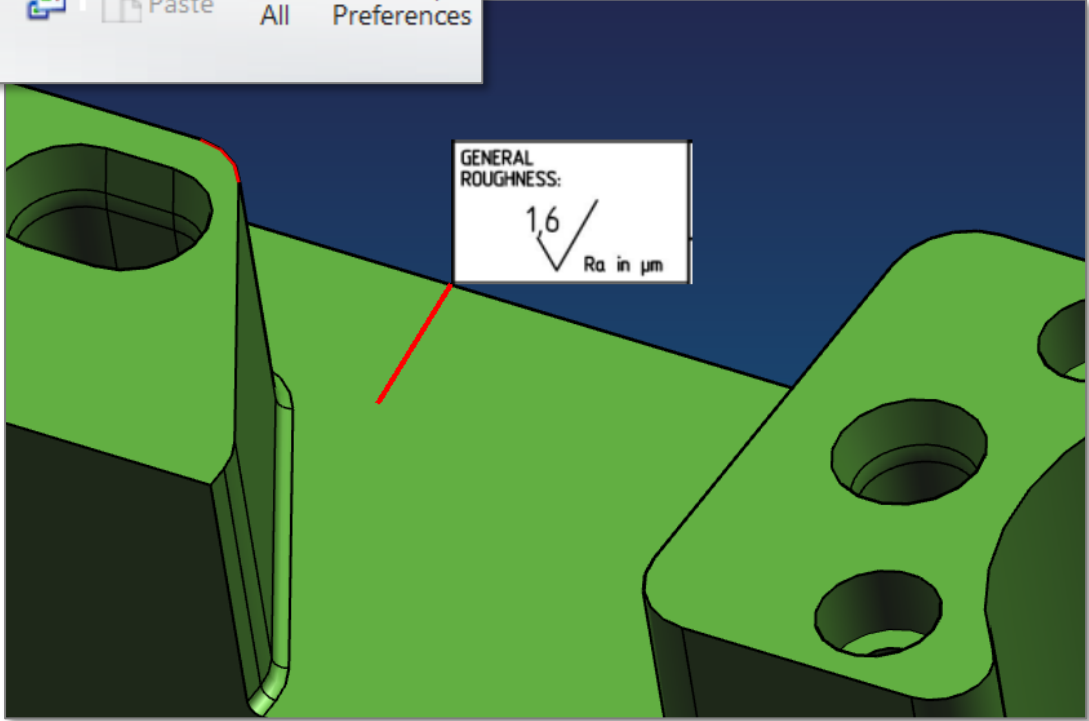
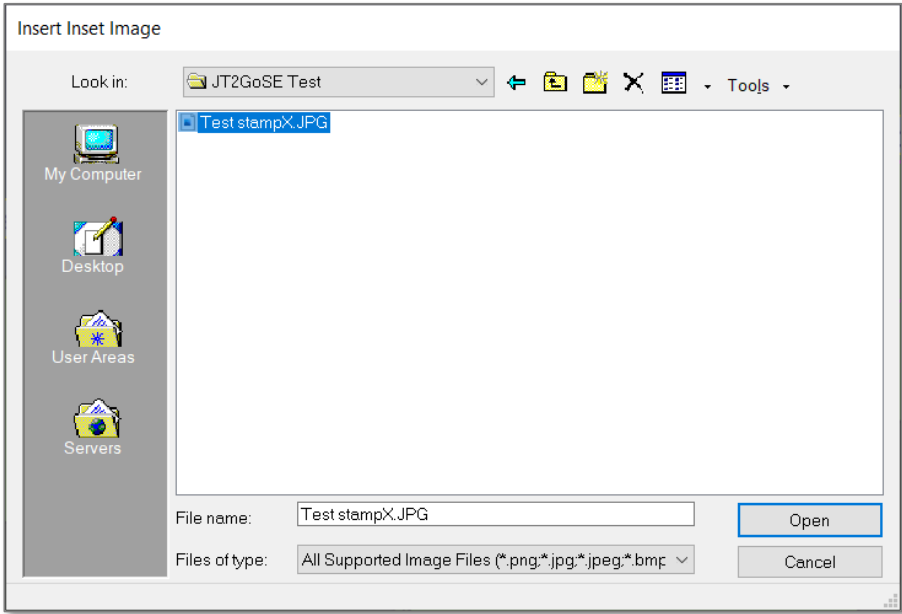
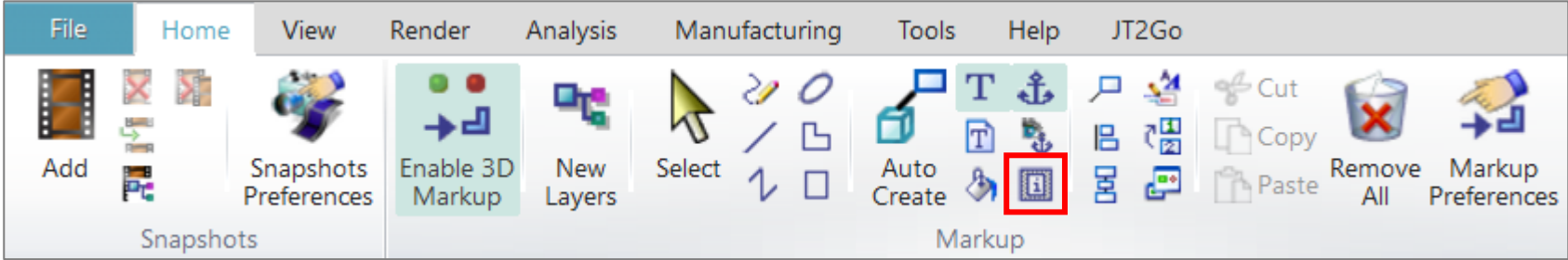


# Creating markups - Text

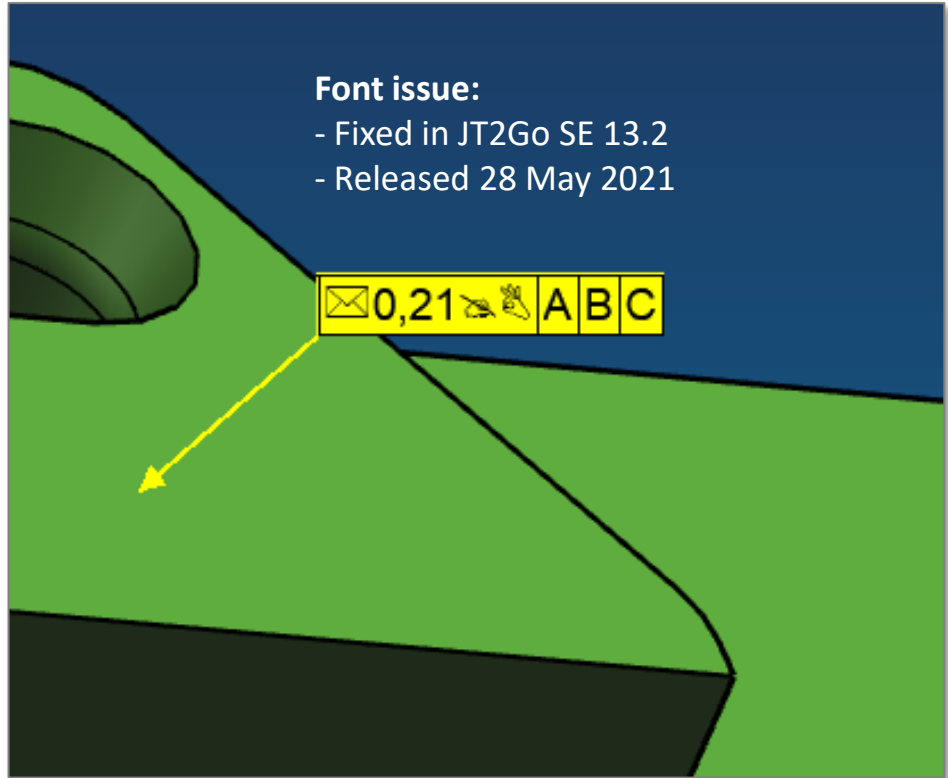
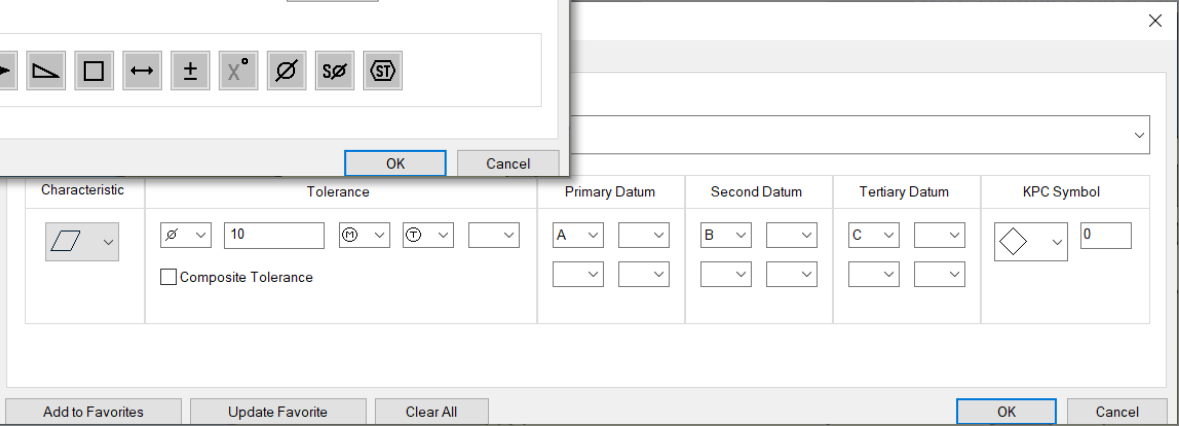
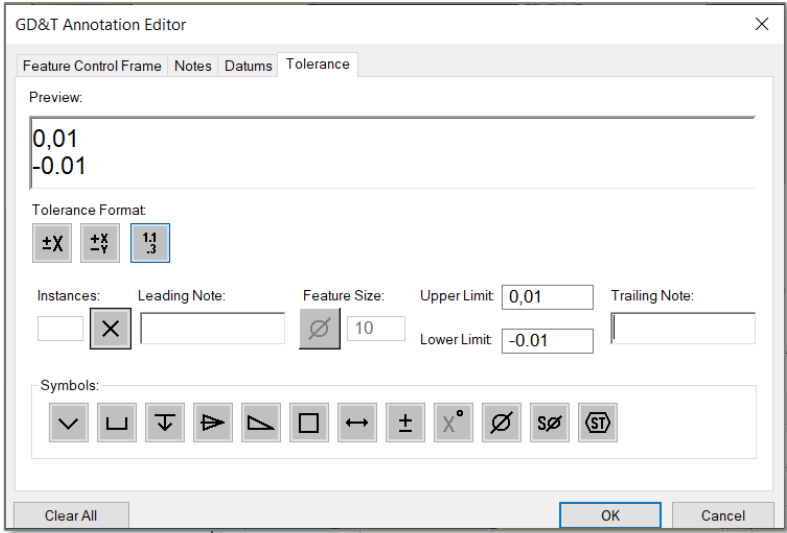
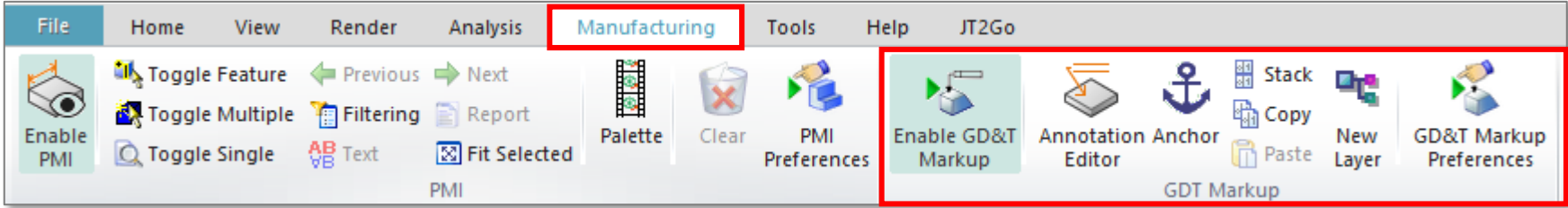




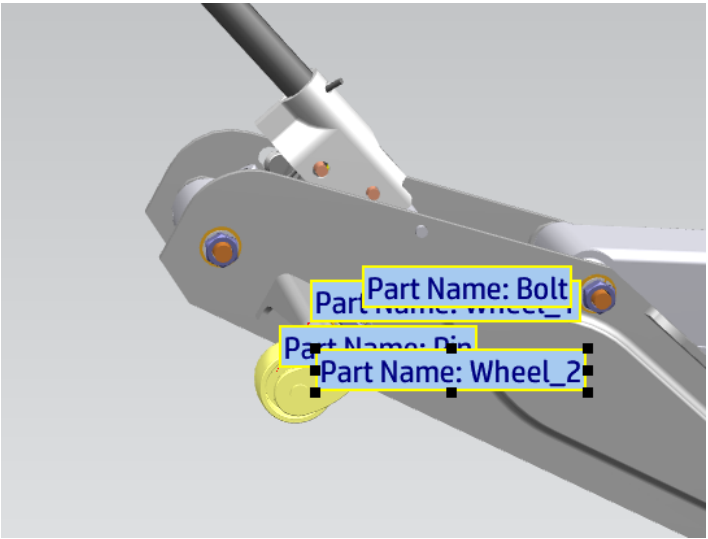
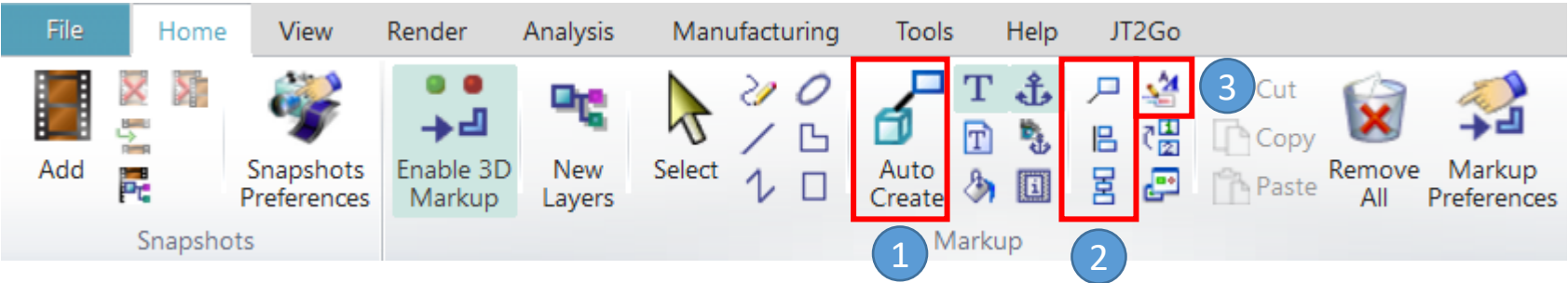
# Creating markups – Stamps



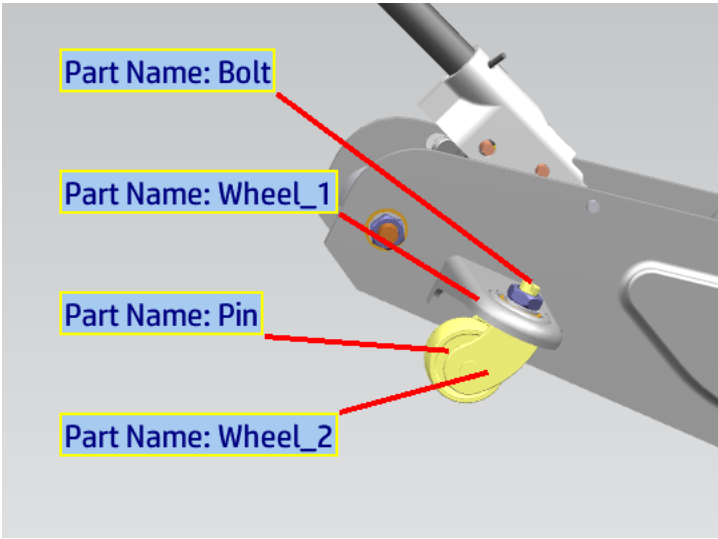
# Creating markups - GD&T



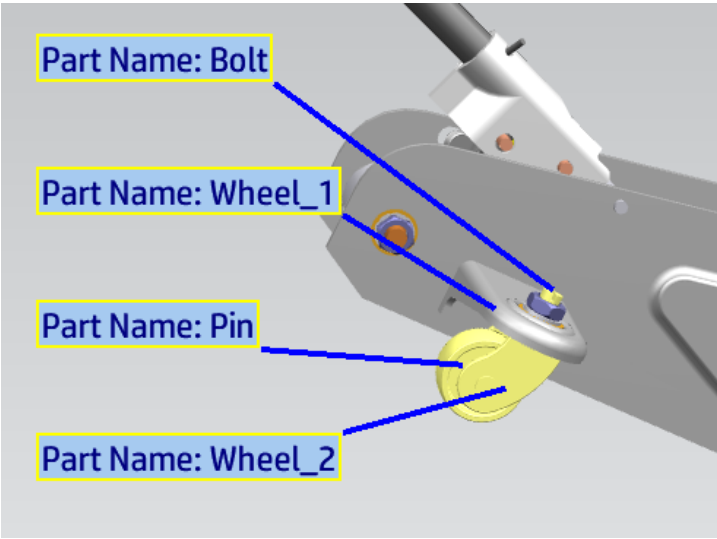
# Creating assembly focussed markup



1. Auto Create mark-up



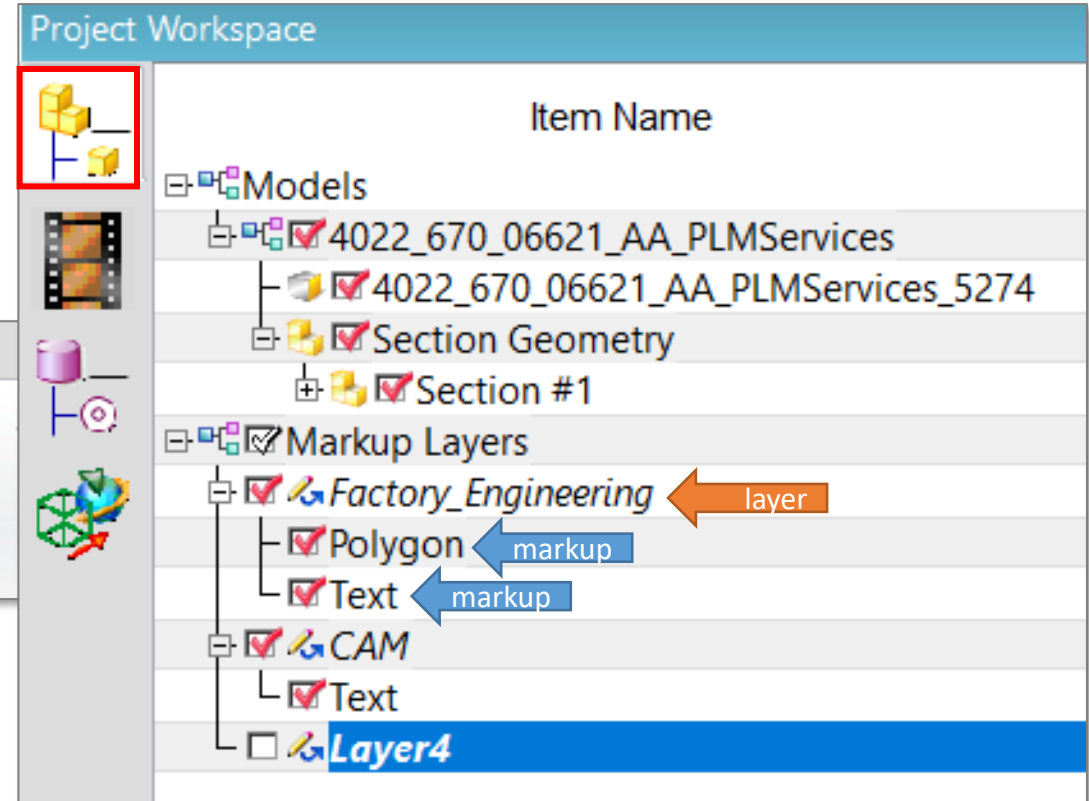
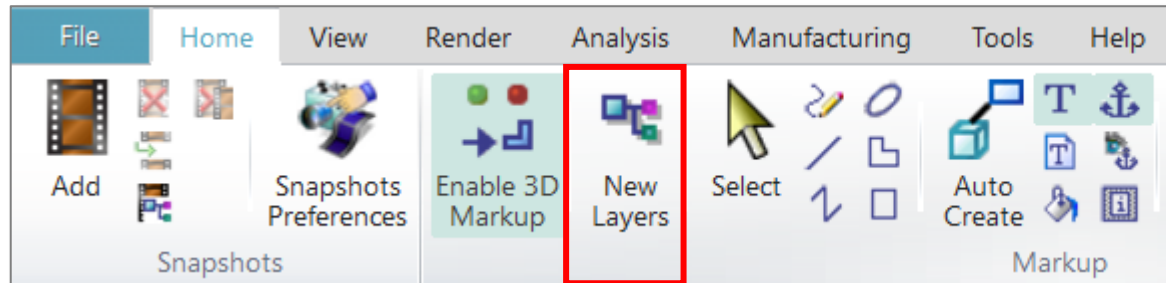
2. Align markup hor./vert.



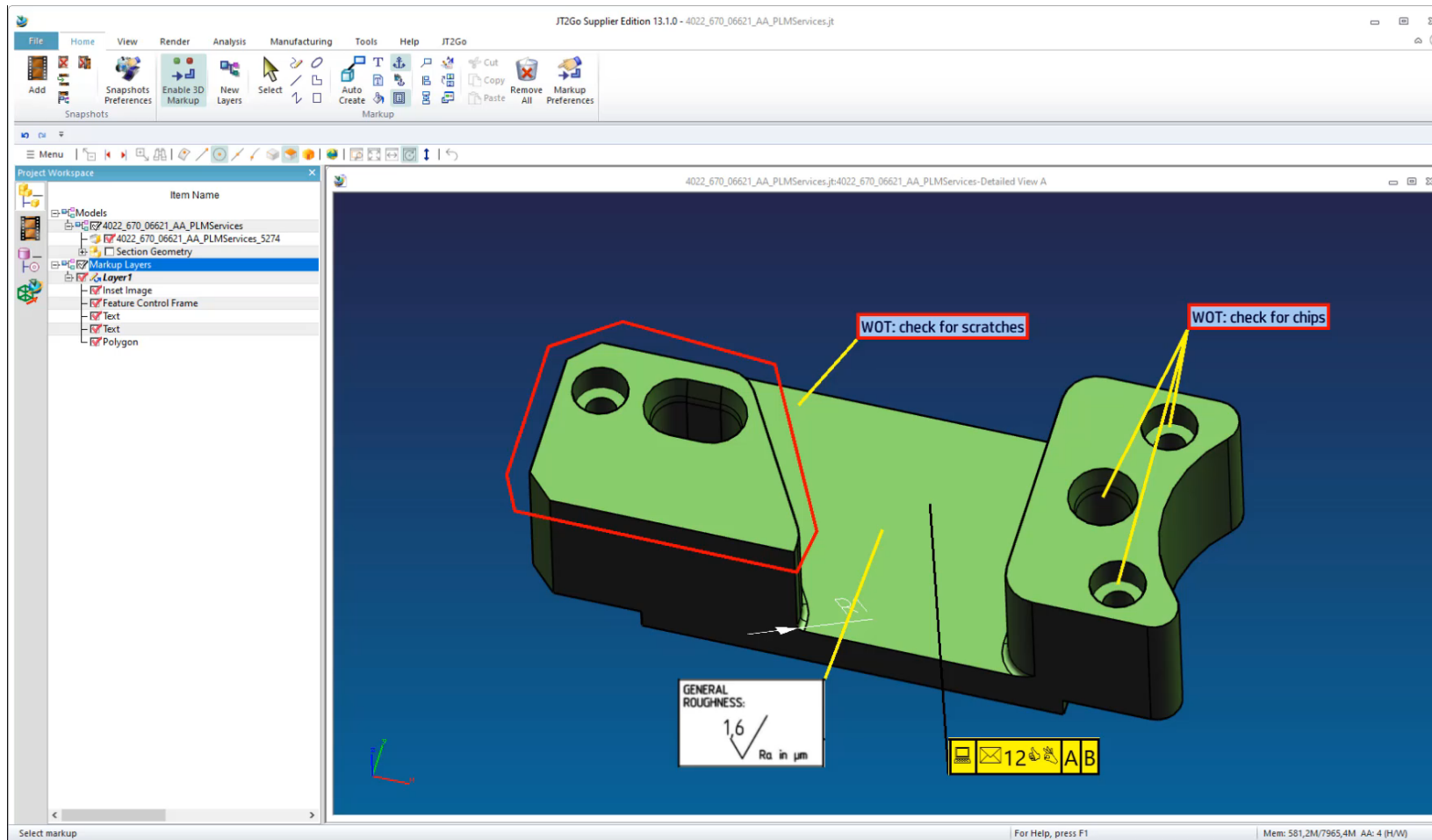
3. Edit markup (example: line color)

# Using layers to organize markup

- Each markup is added to the active layer.
- Default name: Layer1, Layer2
- Move with drag & drop

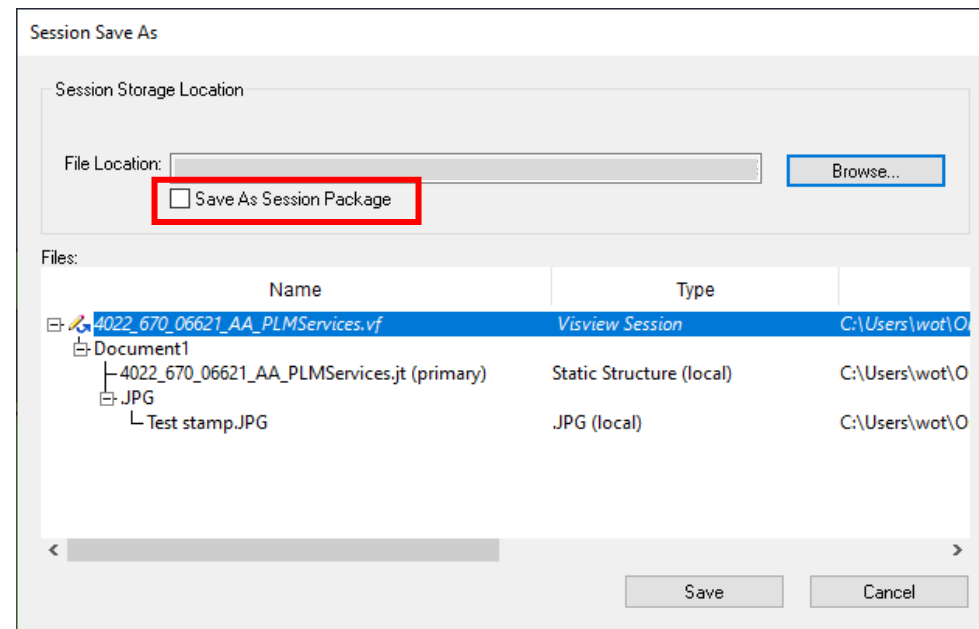
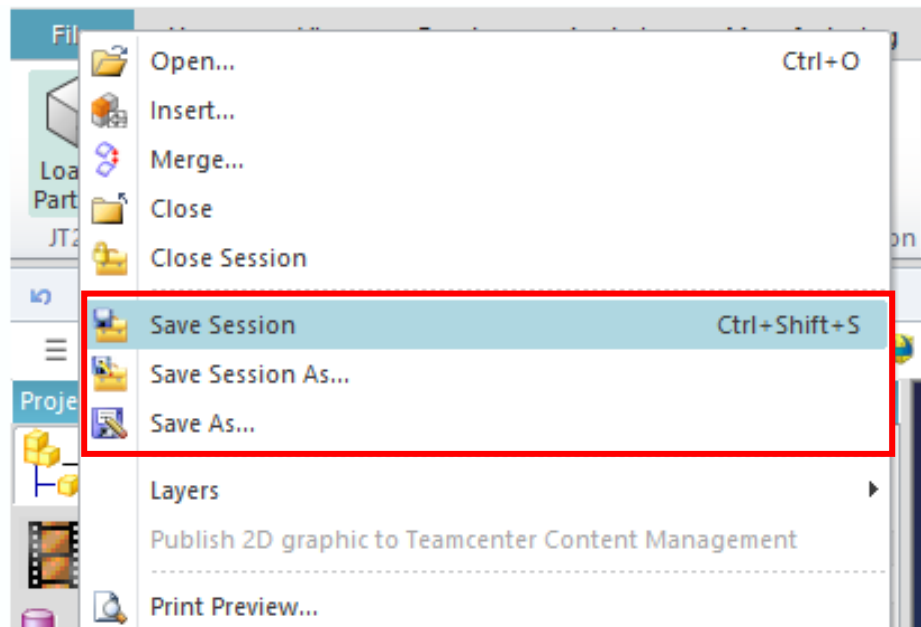


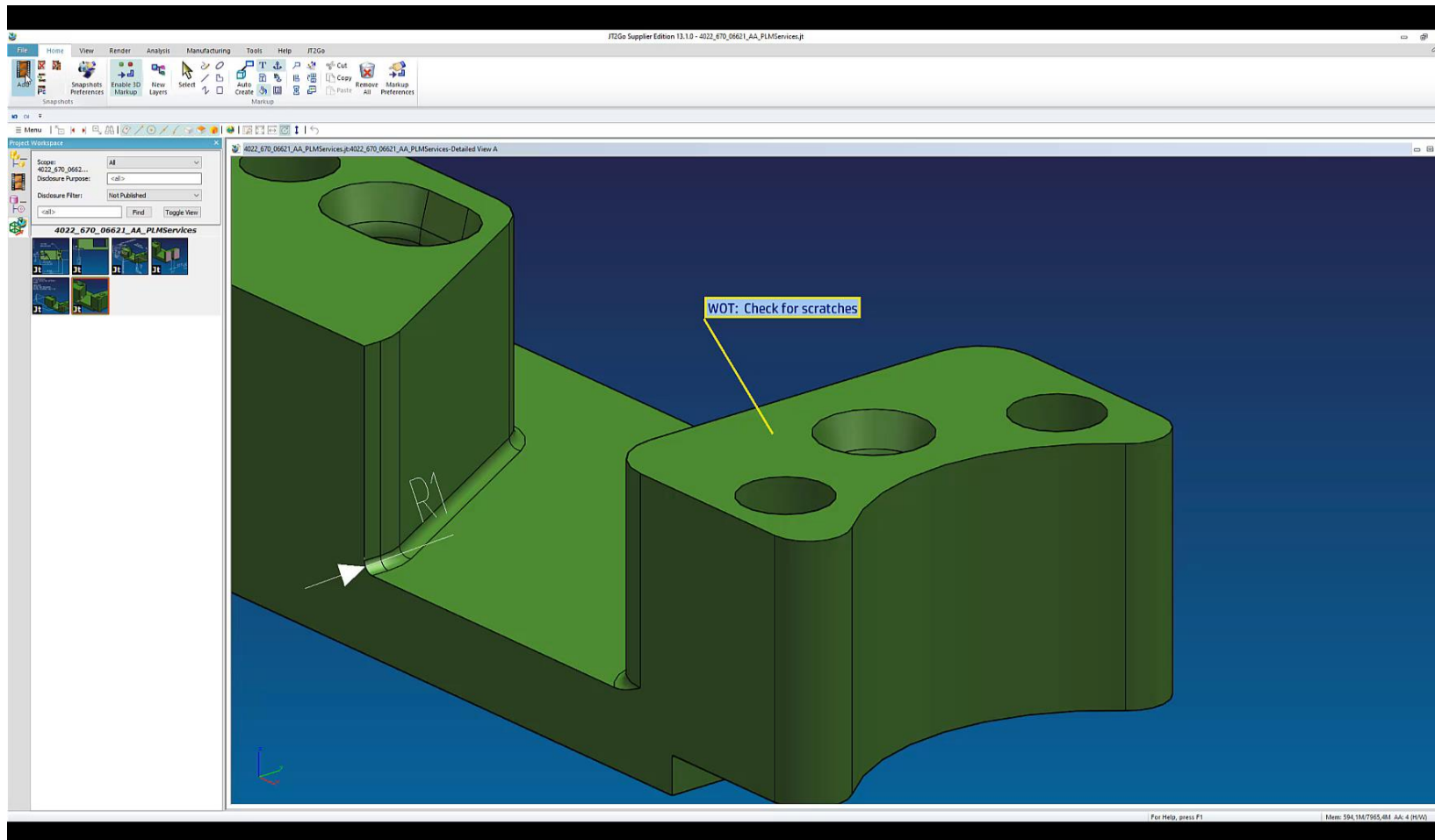




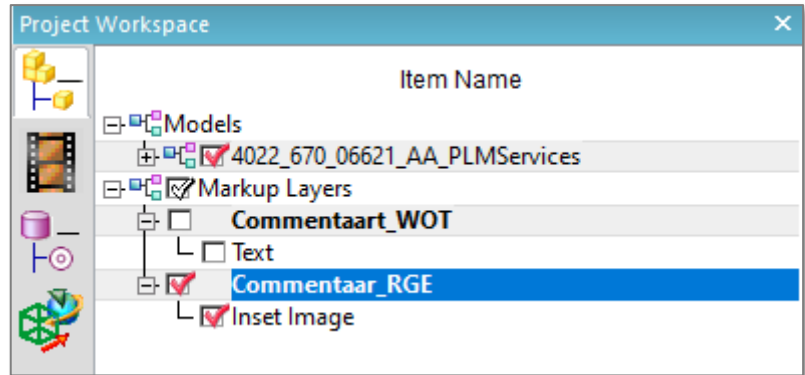
# Saving markups en snap shots

- Save Session As has two options: .VF en .VFZ
- Save As Session Package (.VFZ) recommended
  - Supports communicating markups
  - Mark checkbox 'Save As Session Package'

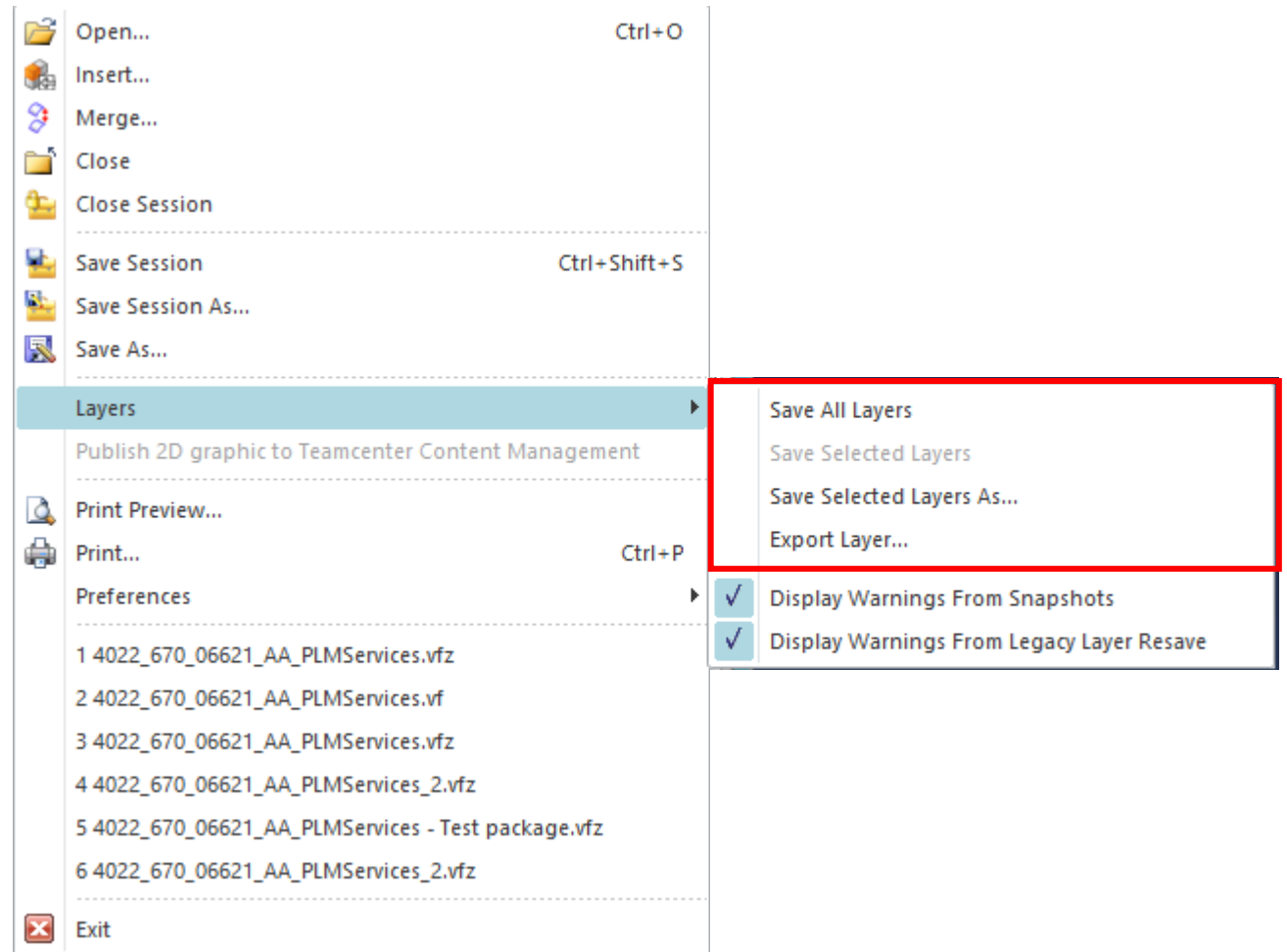




# Exporting layers

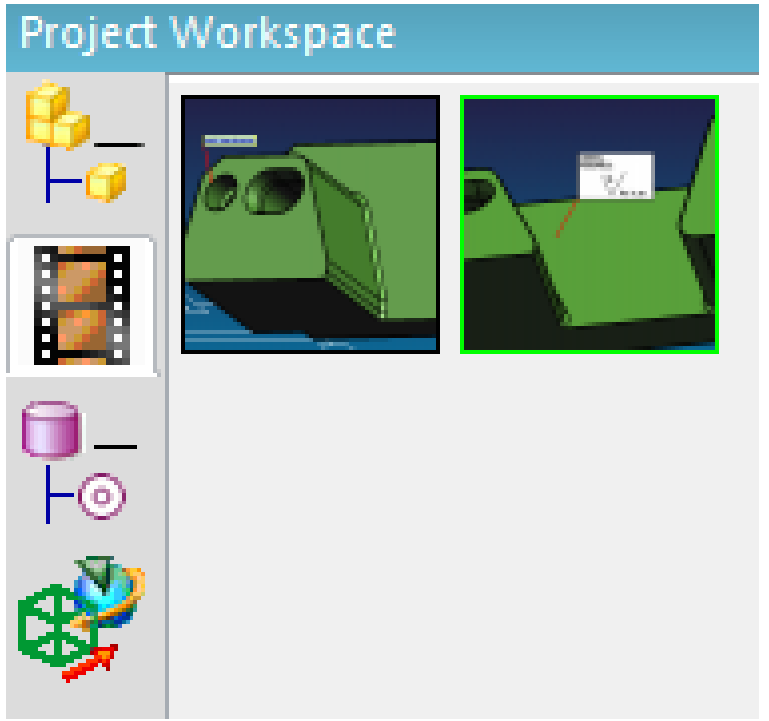
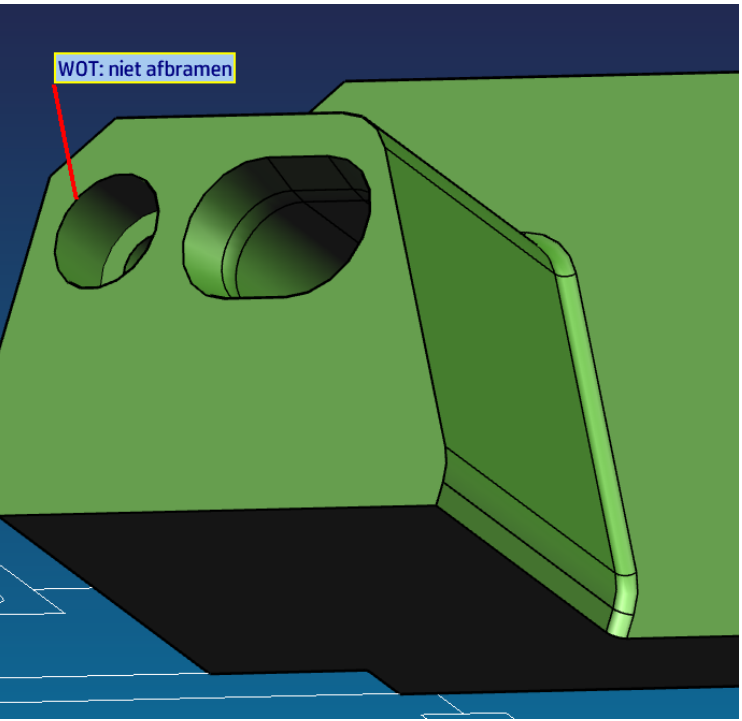
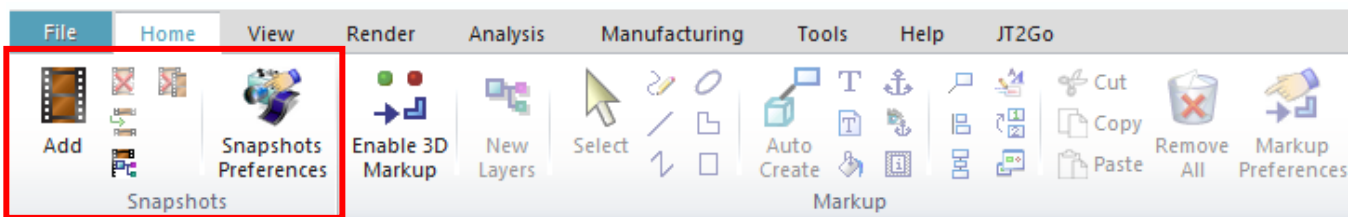


- Export layers with *Save Selected Layers As*, to a .vpl file
- Receiver is able to open layer file in any JT-file
- Example: comment of a certain person or department collected in one layer



# Snapshots

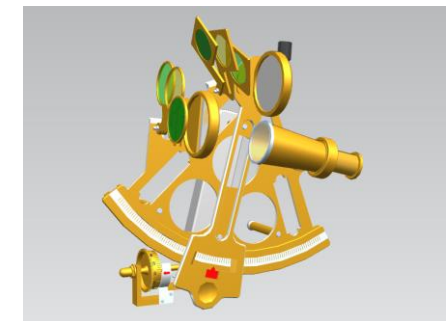
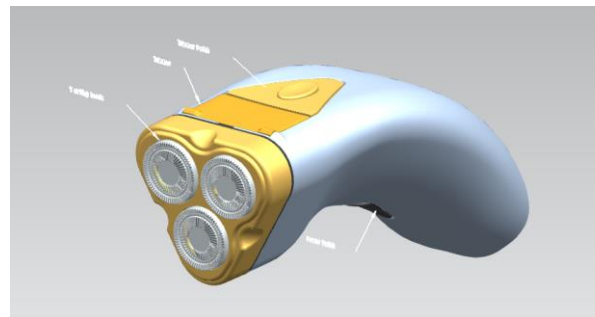
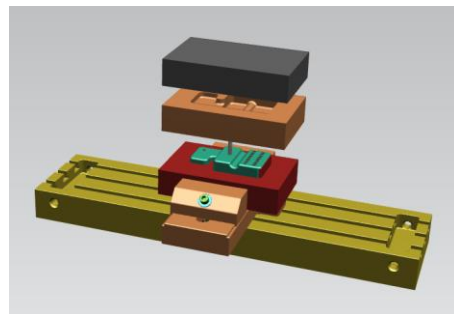
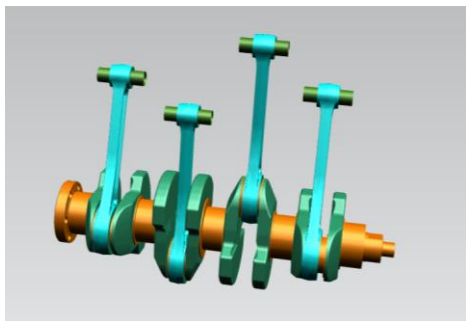
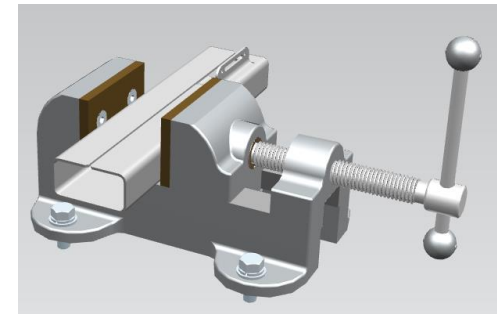
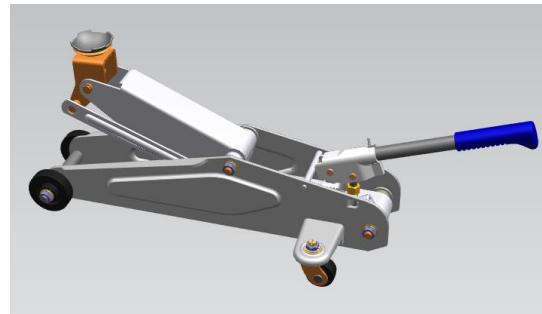
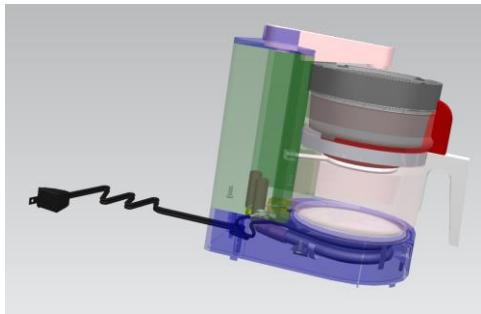
- No functional changes
- Difference: snapshots can now be saved with session file!



- JT2Go Supplier Edition
  - [JT2Go 13.1 Help](#)
- Other documentation of interest
  - [TC Lifecycle Visualisation 13.1](#)
  - [TC Lifecycle Visualization getting started](#)
  - [Learning TC Visualisation basics](#)
- Mind that only a selection of the TC Visualisation functions is available in JT2Go Supplier Edition

The image shows a screenshot of a web browser displaying Siemens documentation. The browser address bar shows the URL: docs.sw.siemens.com/en-US/product/296685992/doc/PL20200605150349065jt2go/html/xid1849708. The page title is "Visualization Basics Tutorial". The main content area is titled "Measuring distance on 3D models" and includes a sub-section "Show me: Measuring distance between parts". Below this, there is a screenshot of the Teamcenter software interface showing a 3D model of a mechanical assembly with a yellow gear and a green part. The software interface includes a menu bar with options like Home, View, Render, and a ribbon with various tools. Below the screenshot, the text reads: "Show me: Measuring distance between parts, Teamcenter Lifecycle Visualization 13.1 © 2020 Siemens".

- JT2Go SE installation comes with sample files (selection below)
- C:\Program Files\Siemens\JT2GoSE\Examples



- **Subscription license:** hiring the license for one year
- **Named license:** each user needs its own license
- Combining JT2Go SE with JT2Go (free version) is possible
- Everything you create with JT2Go SE can be opened and viewed in JT2Go






# Licensing and installation

- On-line purchase (only) via [www.jt2go.com](http://www.jt2go.com)
- With credit card only
- \$ 19/month, yearly subscription
- Support included

### Shopping Cart

	Qty	Price	Supported Purchase Methods	
 <b>JT2Go Supplier Edition</b> <i>Billing Term: Yearly</i> <i>Subscription Term: Yearly</i> <a href="#">Additional Info</a>	1	USD \$228 / year	Credit Card	<input type="button" value="Delete"/>

Total: USD \$228

Prices and offers in the cart are subject to change until the order is submitted.


Payment Type: Credit Card

## Thank you for choosing JT2Go Supplier Edition!

JT is the most widely used 3D file format for PLM.

Dear Wim,

Thank you for your subscription purchase of JT2Go Supplier Edition.



Please install the product then follow the directions to activate your license with the provided code.

When purchase quantity is greater than one or you need to assign a license, use the [Subscription Manager](#) to assign User activation code(s).

**Activation Code:** xxxxxxxxxxxxxxxxxxxx

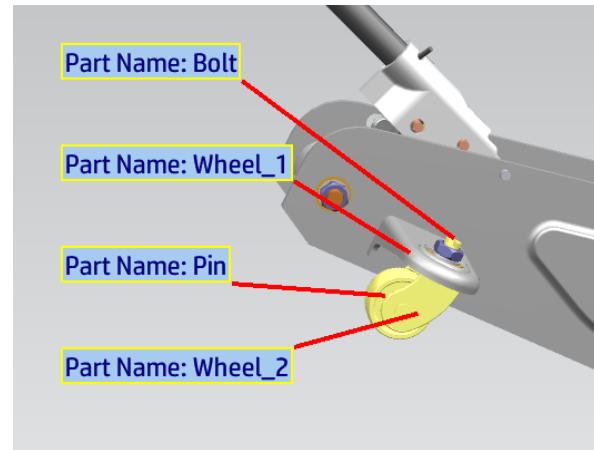
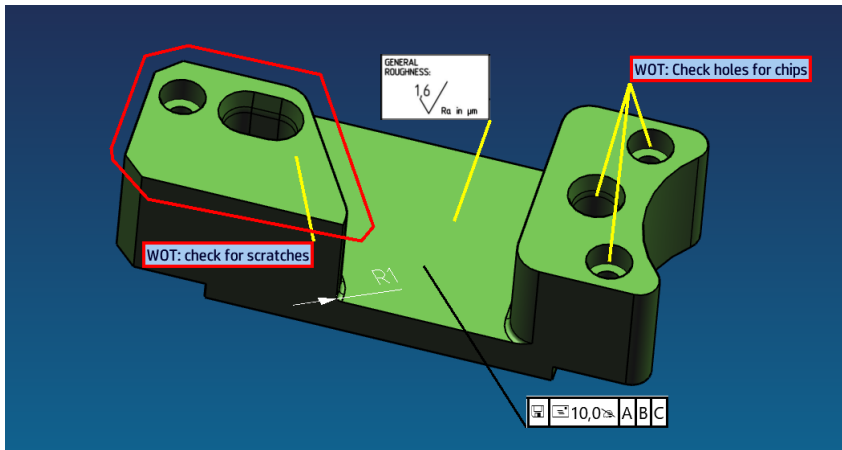
**Join our online community!**  
Learn from experts, discover the latest JT features, and connect with peers.

[Join now >](#)

Feel free to contact our Global Customer Access Center (GTAC) with questions or issues.

[> Global Customer Access Center \(GTAC\)](#)

- JT2Go Supplier Edition offers only a few but essential additional functions
- JT2Go SE is clearly more suitable to support communication than JT2Go
- JT2Go SE is no big step to learn if you are already familiar with JT2Go
- What you create in SE can be opened in the free JT2Go version
- Mind that with the ability to save the file management challenge increases!



## Upcoming events

### TRUST IS GOOD CHECK MATE IS BETTER



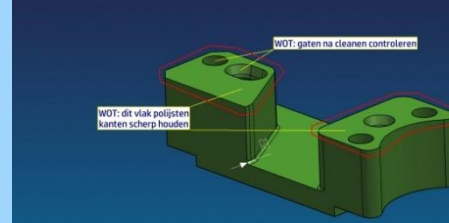
Webinar 1 June 2021

[Register here](#) for this event

More events: [www.sttls.nl/plm-events](http://www.sttls.nl/plm-events)

## Past events

### MARKUP WITH JT2GO SUPPLIER EDITION



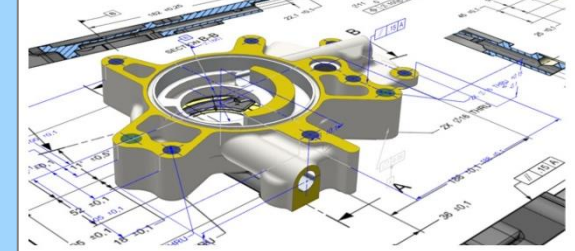
### REUSING MBD MODELS IN NX CAM



Watch the videos at our [YouTube channel](#)

### NO PMI WITHOUT STANDARD QUALITY

Webinar, October 13<sup>th</sup>, 2020



### CREATING MBD MODELS WITH PMI IN NX







*Want to know more? Wim Ottenhoff, Managing Consultant, +31 6 2215 8720*

thank you for your attention

WHEN BUSINESS, PEOPLE & TECHNOLOGY NEED AN IMPULSE